

PLC Splitter with Fan-out connectors

Description

Broadex Technologies' Planar Lightwave Circuit (PLC) splitter is a passive optical power management device that uses silica waveguide structures to evenly split an optical signal from 1 or 2 input channels and distribute the split signal to N multiple output channels, commonly described as 1xN or 2xN splitters. products are Telcordia GR-1221-CORE qualified, and RoHS compliant.

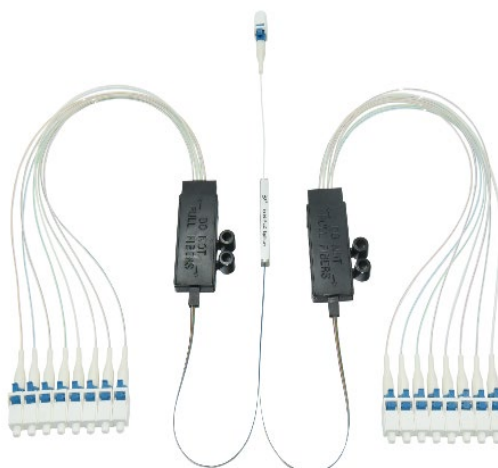
The Bare PLC Splitter package has a bare fiber input and fiber ribbon output which minimizes the space occupied by the device, making it ideally suited for integration into larger systems that can protect the fragile bare fiber while minimizing device volume.

Features

- Low insertion loss and PDL
- Excellent channel uniformity
- Compact size
- Wide operating wavelength and temperature range
- High reliability and high stability
- Telcordia GR-1221 and GR-1209 qualified

Applications

- Telecom, datacom
- Local Area Networks (LANs)
- Cable TV (CATV)
- Local Convergence points (LCP)
- FTTX
- Test Equipment



Specifications

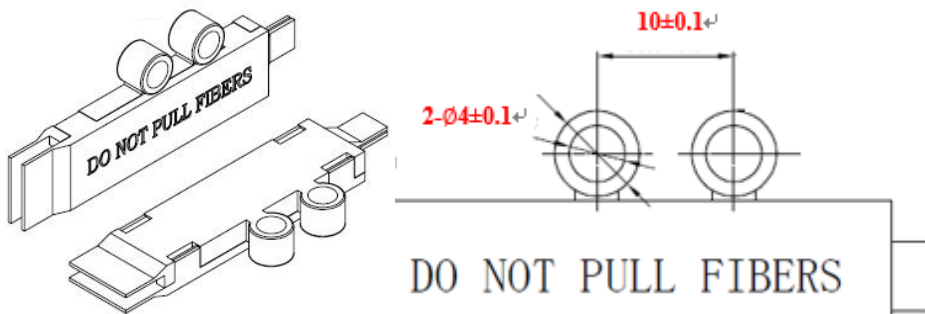
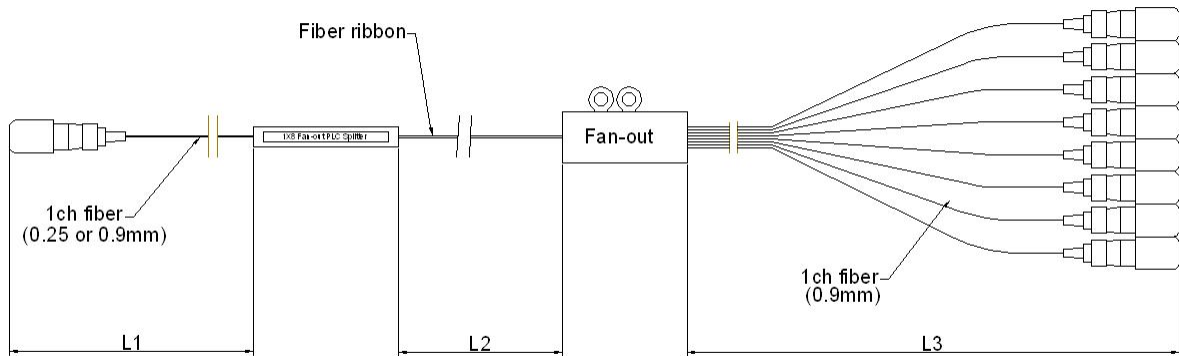
Parameters			1x2	1x4	1x8	1x16	1x32	1x64
Operating Wavelength (nm)			1260-1650					
Insertion Loss (dB)	Typical		4.0	7.3	10.5	13.8	16.8	20.5
	Max	P	4.3	7.5	11.0	14.0	17.0	21.0
		S	4.5	7.7	11.2	14.2	17.5	21.5
Loss Uniformity (dB)	Typical		0.4	0.4	0.5	0.6	0.8	1.2
	Max		0.6	0.6	0.8	1.2	1.5	2.5
Return Loss (dB)(P/S)			55/50	55/50	55/50	55/50	55/50	55/50
PDL (dB)	Typical		0.1	0.1	0.15	0.15	0.15	0.2
	Max		0.2	0.2	0.3	0.3	0.3	0.4
Directivity (dB)	Min		55	55	55	55	55	55
Operating Temperature (°C)			-40 to+85					
Storage Temperature (°C)			-40 to +85					
Packaging Size (LxWxH) (mm)			40x4x4			50x7x4		60x12x4

Parameters			2x2	2x4	2x8	2x16	2x32	2x64
Operating Wavelength (nm)			1260-1650					
Insertion Loss (dB)	Max	P	4.4	8.0	11.7	14.7	17.9	21.5
		S	4.7	8.3	12.0	15.0	18.2	22.0
Loss Uniformity (dB)	Max		1.0	1.2	1.5	1.8	2.0	2.5
Return Loss (dB)(P/S)	Min		55/50	55/50	55/50	55/50	55/50	55/50
PDL (dB)	Max		0.2	0.2	0.4	0.4	0.4	0.4
Directivity (dB)	Min		55	55	55	55	55	55
Operating Temperature (°C)			-40 to+85					
Storage Temperature (°C)			-40 to +85					
Packaging Size (LxWxH) (mm)			40x4x4			50x7x4		70x12x4

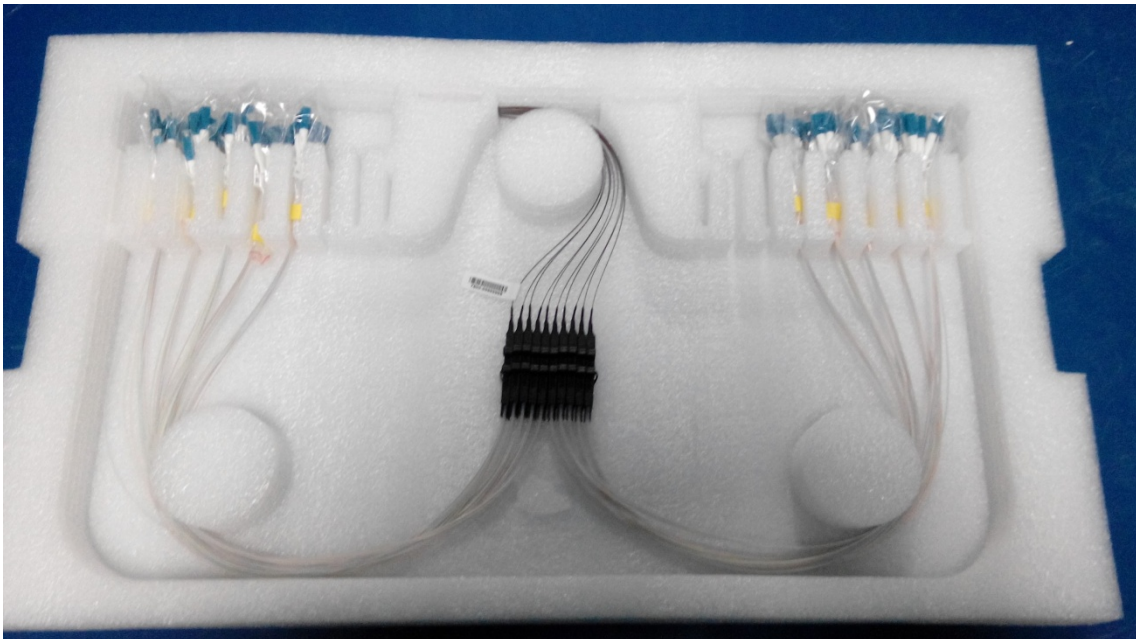
Notes: 1. All measurements were done at room temperature, and specifications include connectors.

2. S: standard, P: premium

Mechanical drawing:



Packaging:



Ordering Information

BPSF	-XXX	-X	-XX	-XX	-XX	-X	-X
B=Broadex	Input &	Input Tube Type	L1 Fiber Length	L2 Fiber ribbon	L3 Fiber Length	Input Connector Type	Output Connector
P=PLC	Output Count	B=250µm Bare Fiber	12=1.2m	Length	12=1.2m	0=None	Type
S=Splitter	104=1x4	L=900µm Loose	15=1.5m	12=1.2m	15=1.5m	1=FC/UPC	0=None
F=Fan out	108=1x8	Tube	XX=Customized	15=1.5m	XX=Customized	2=FC/APC	1=FC/UPC
	T=900µm Tight		XX=Customized		3=SC/UPC	2=FC/APC
	164=1x64	Buffer				4=SC/APC	3=SC/UPC
	204=2x4					5=LC/UPC	4=SC/APC
					6=LC/APC	5=LC/UPC
	264=2x64					X=Customized	6=LC/APC
							X=Customized

Contact Us

International Sales

Email: Sales@broadex-tech.co.uk

Tel: +44-1506-426021

Mobile: +44-7968-854124

China Sales

Tel: +86-573-82585881

Email: Sales@broadex-tech.com

Copyright © 2020 Broadex Technologies. All rights reserved